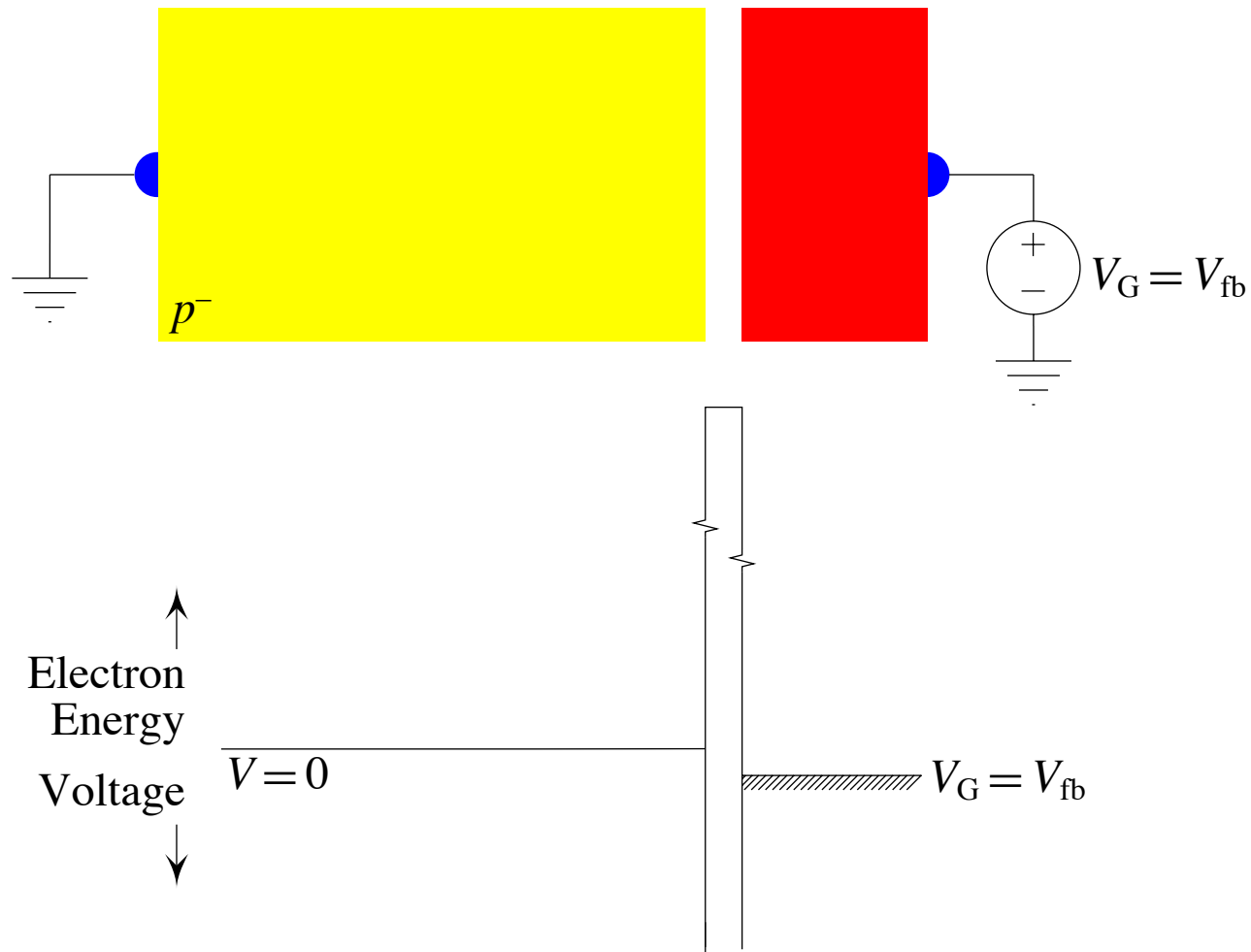
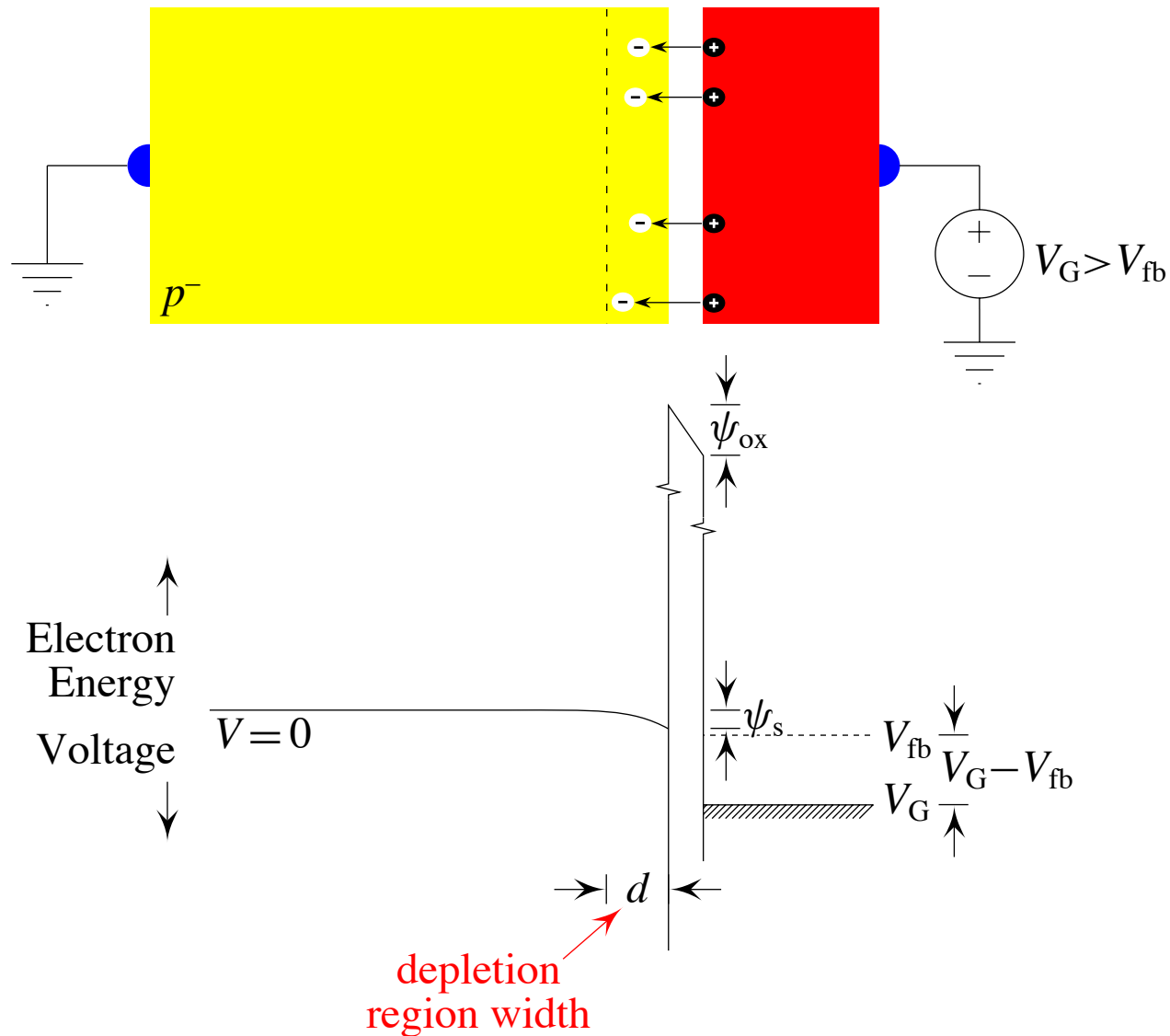


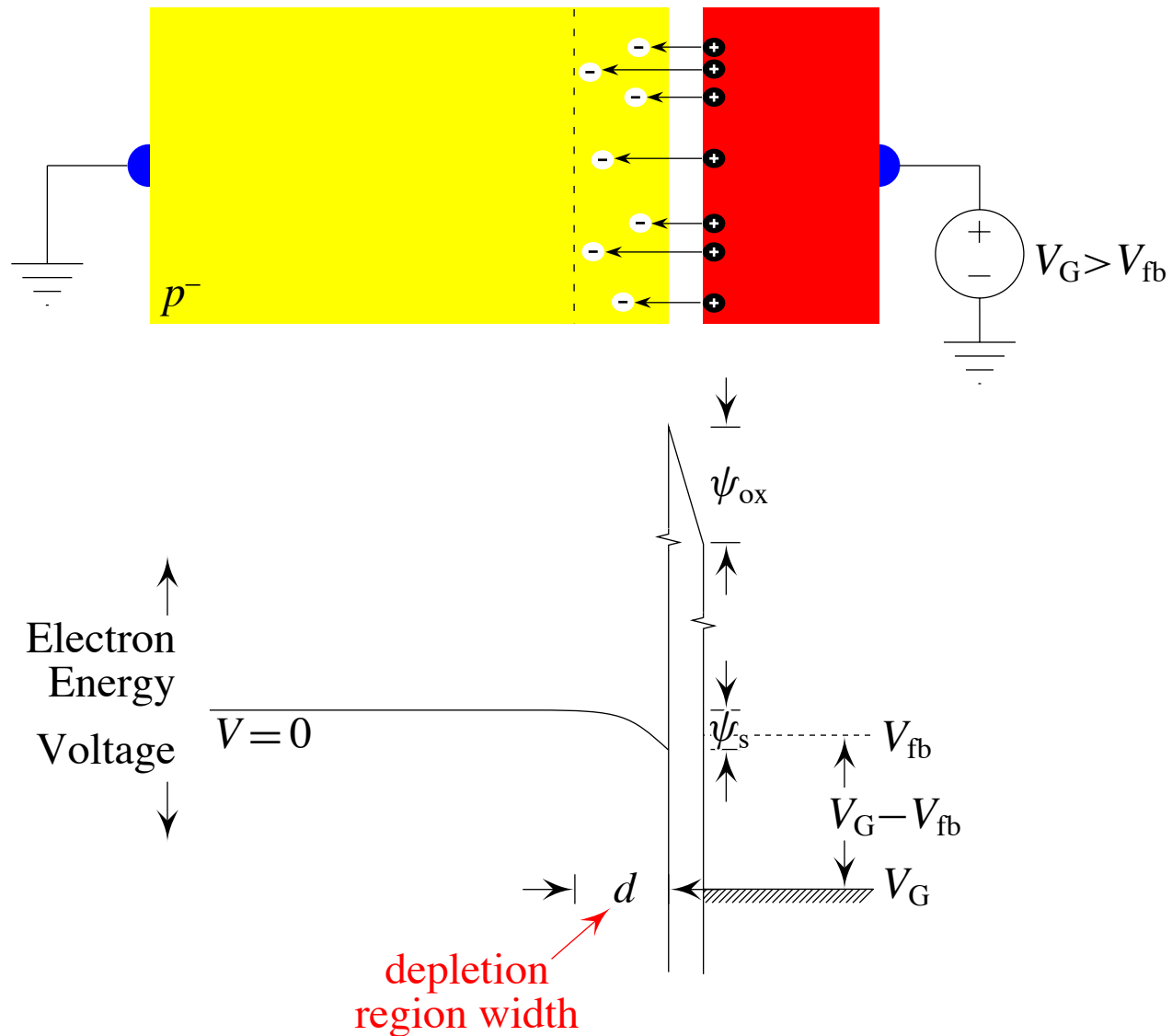
# Electrostatics of the MOS Structure



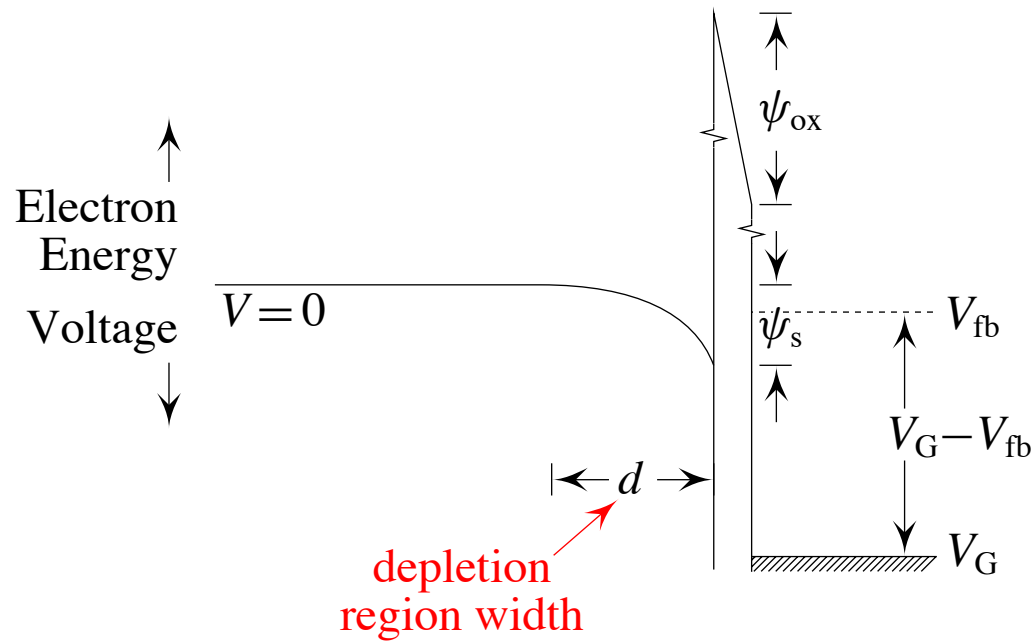
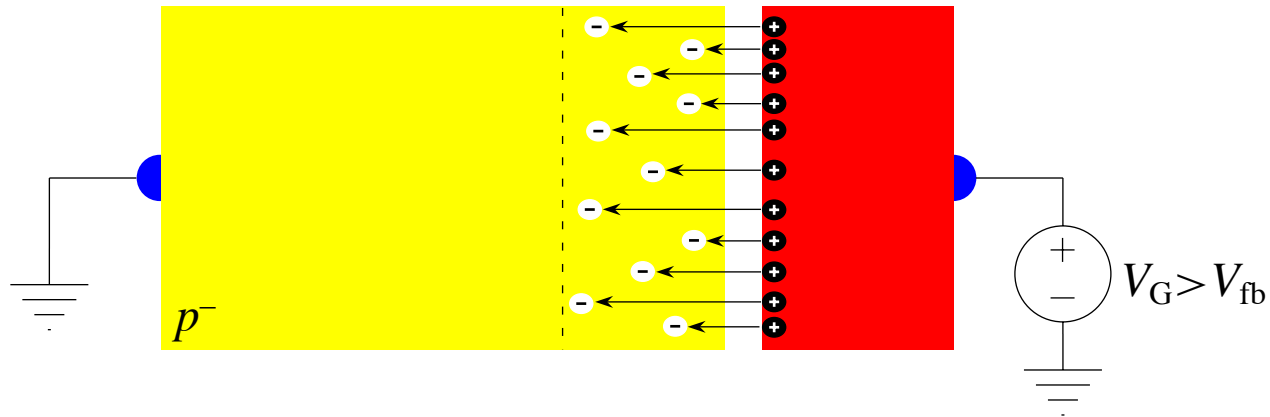
# Electrostatics of the MOS Structure



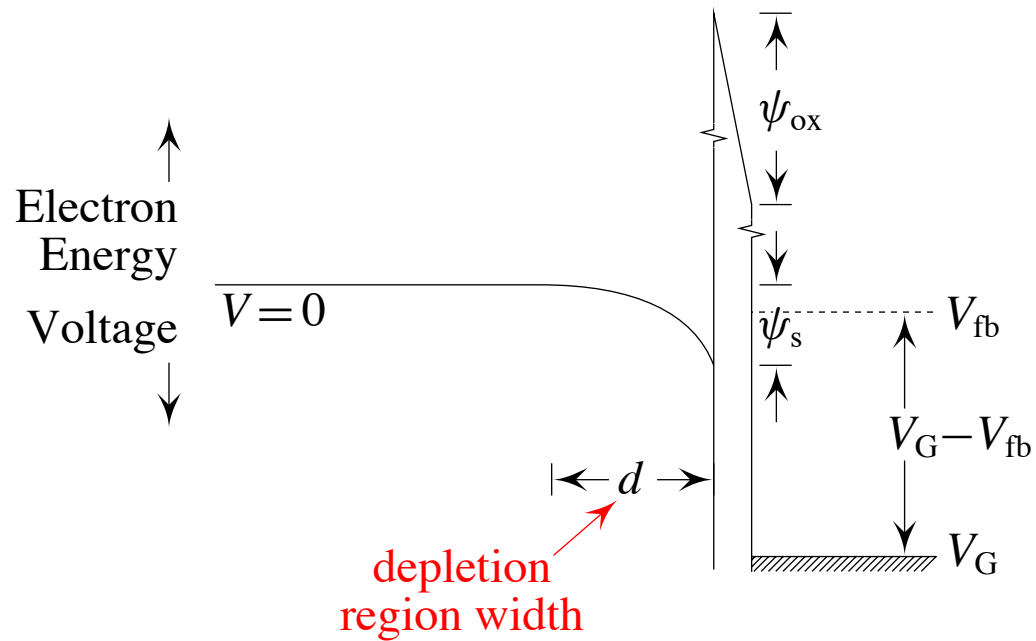
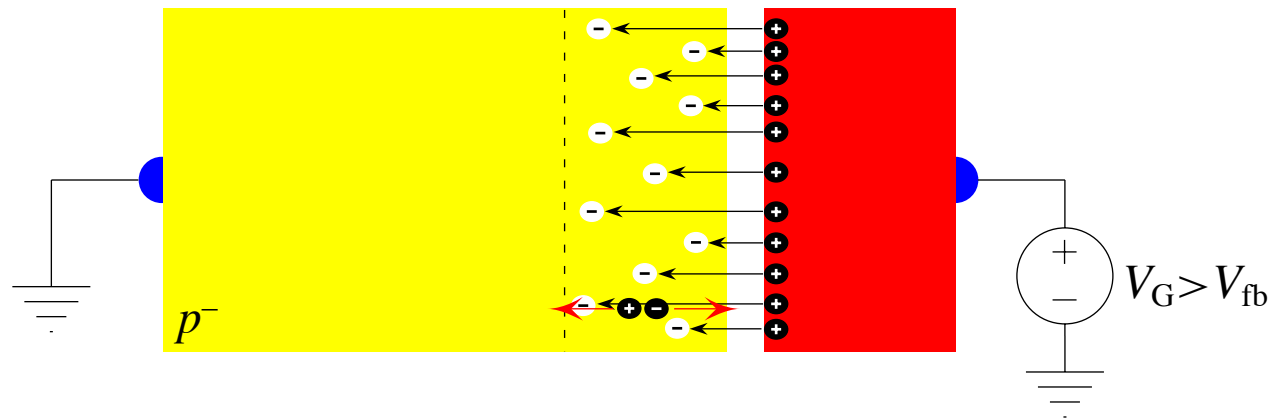
# Electrostatics of the MOS Structure



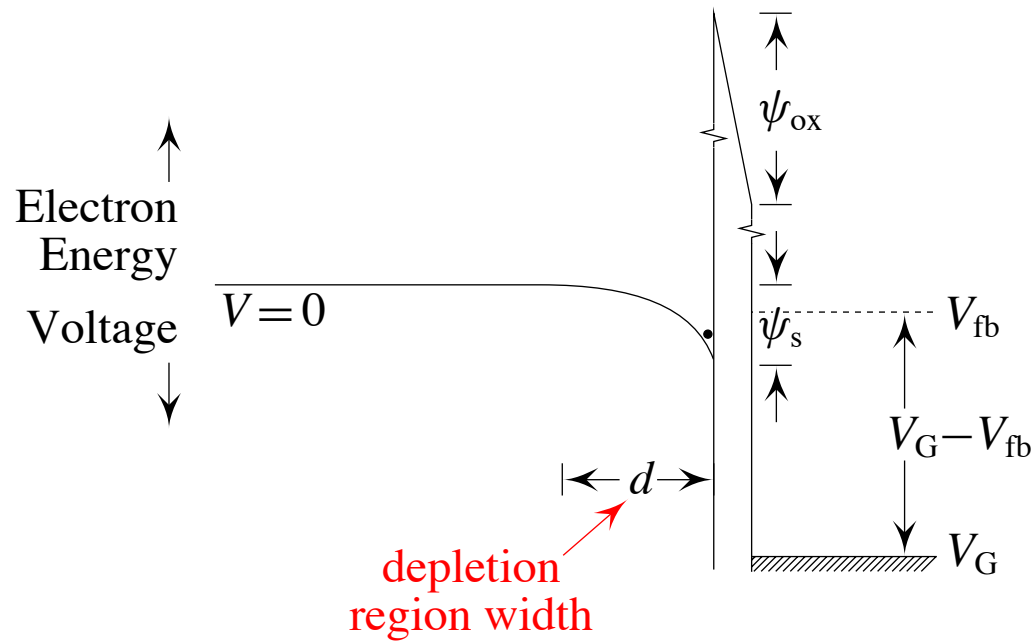
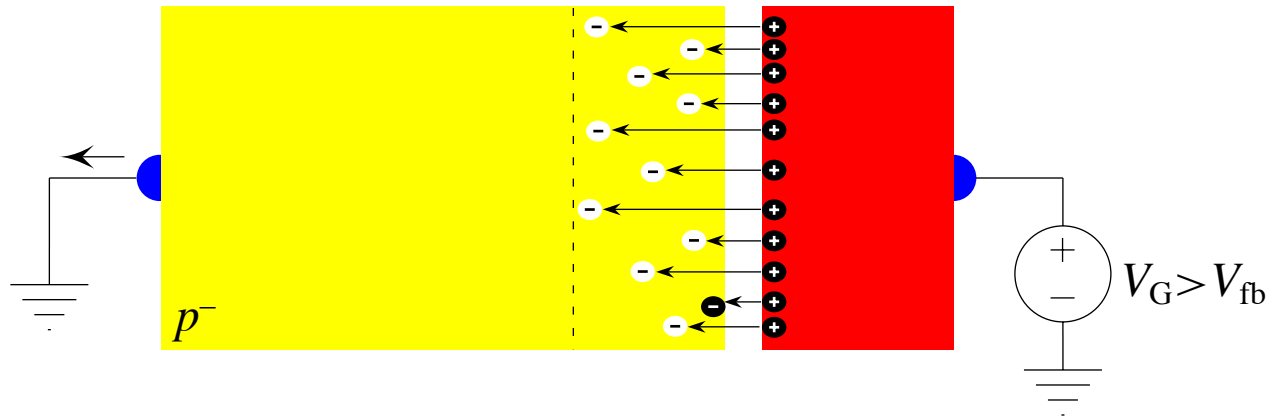
# Electrostatics of the MOS Structure



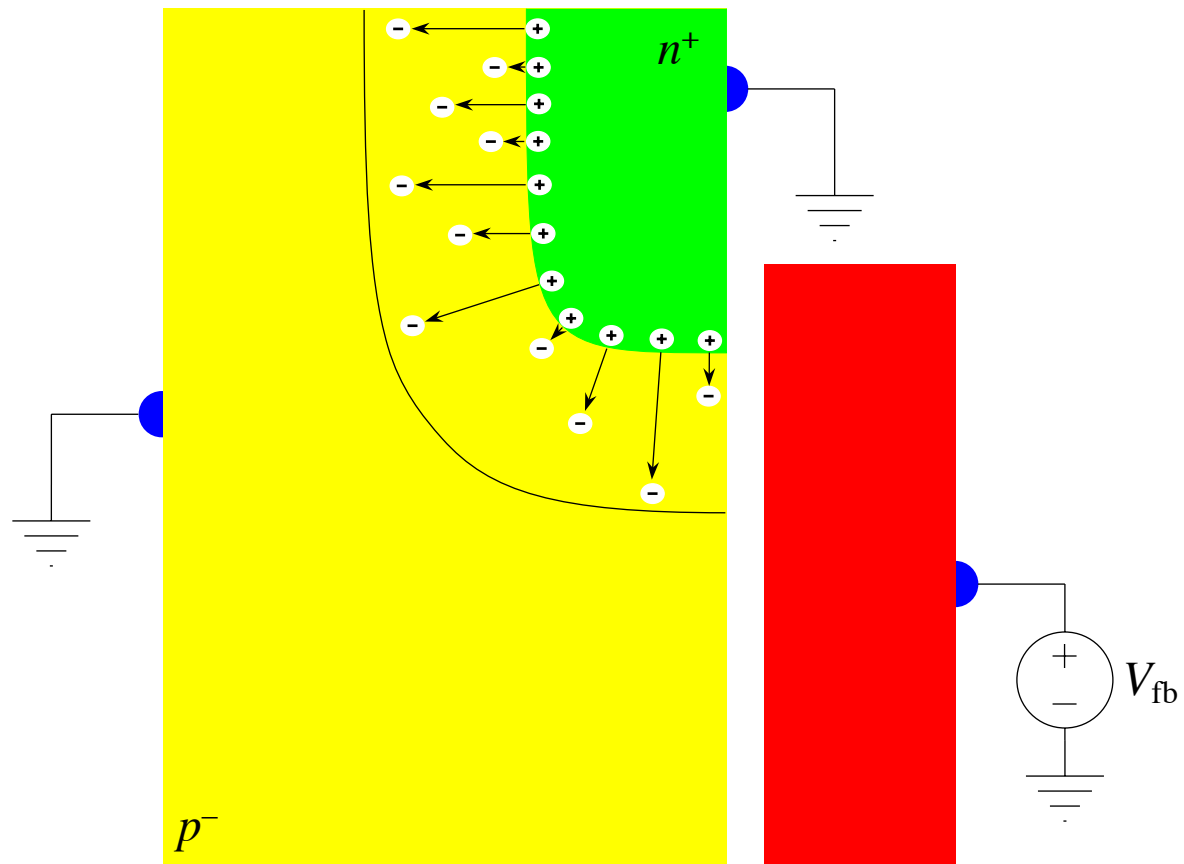
# Electrostatics of the MOS Structure



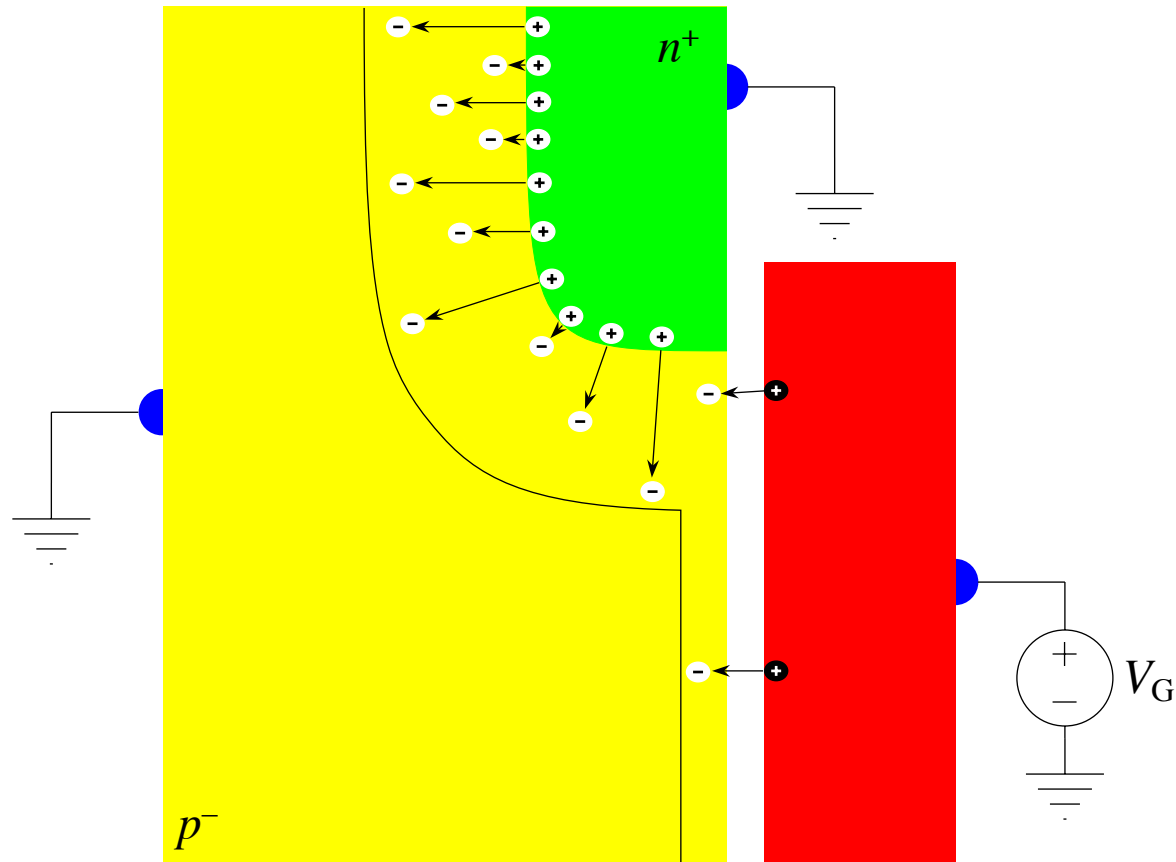
# Electrostatics of the MOS Structure



# Electrostatics of the MOS Structure

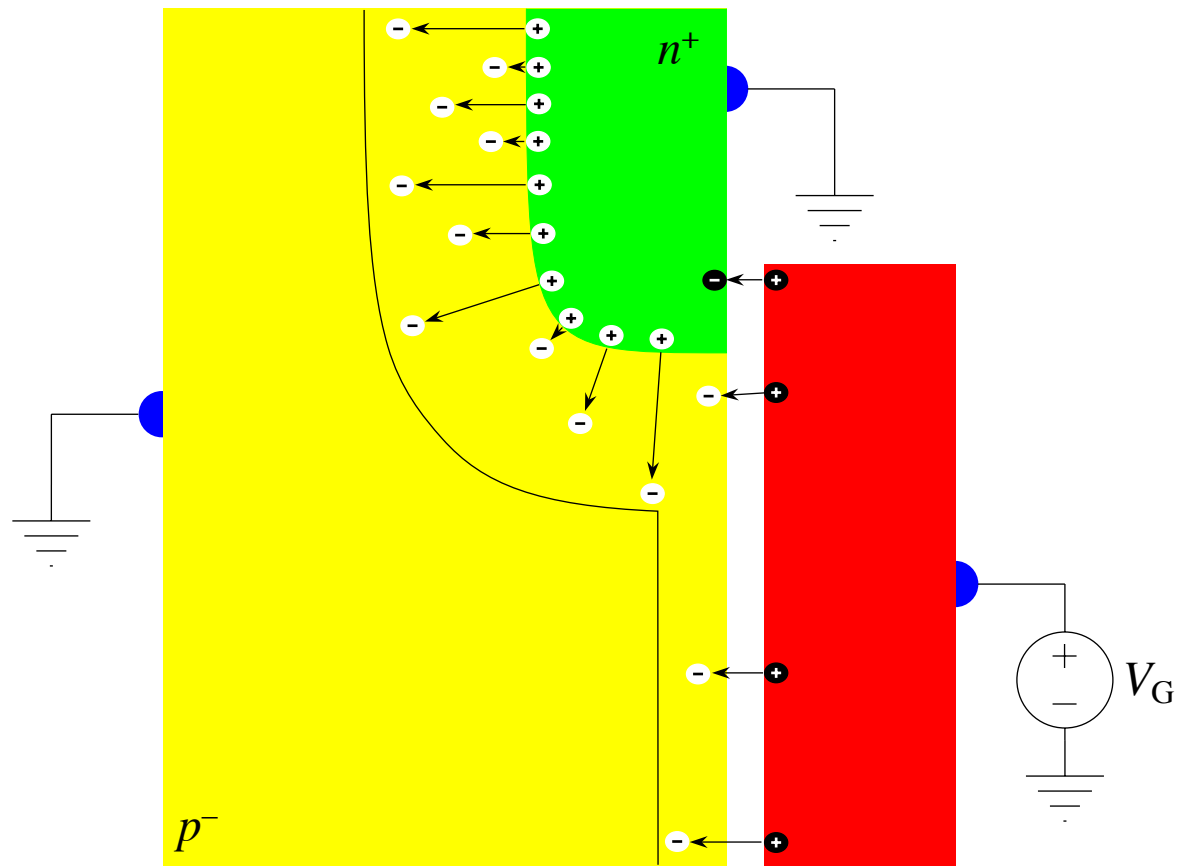


# Electrostatics of the MOS Structure

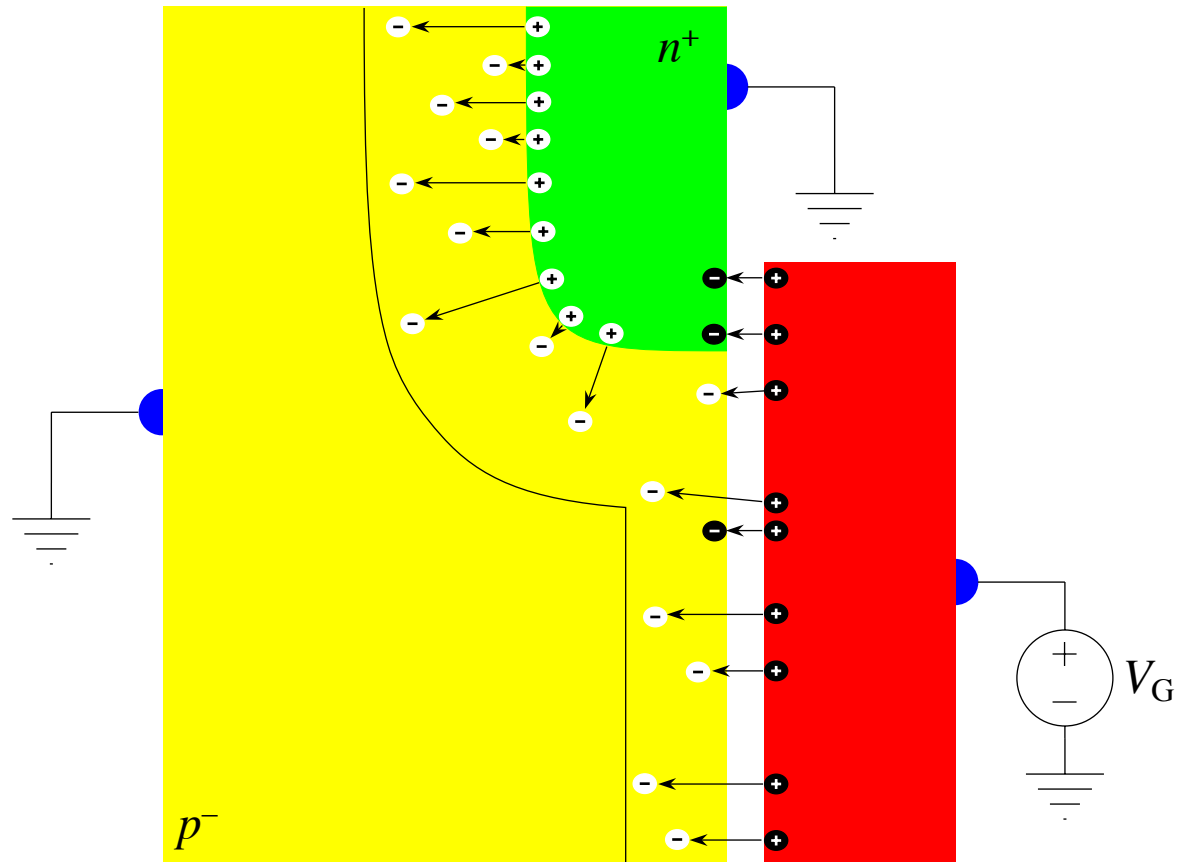




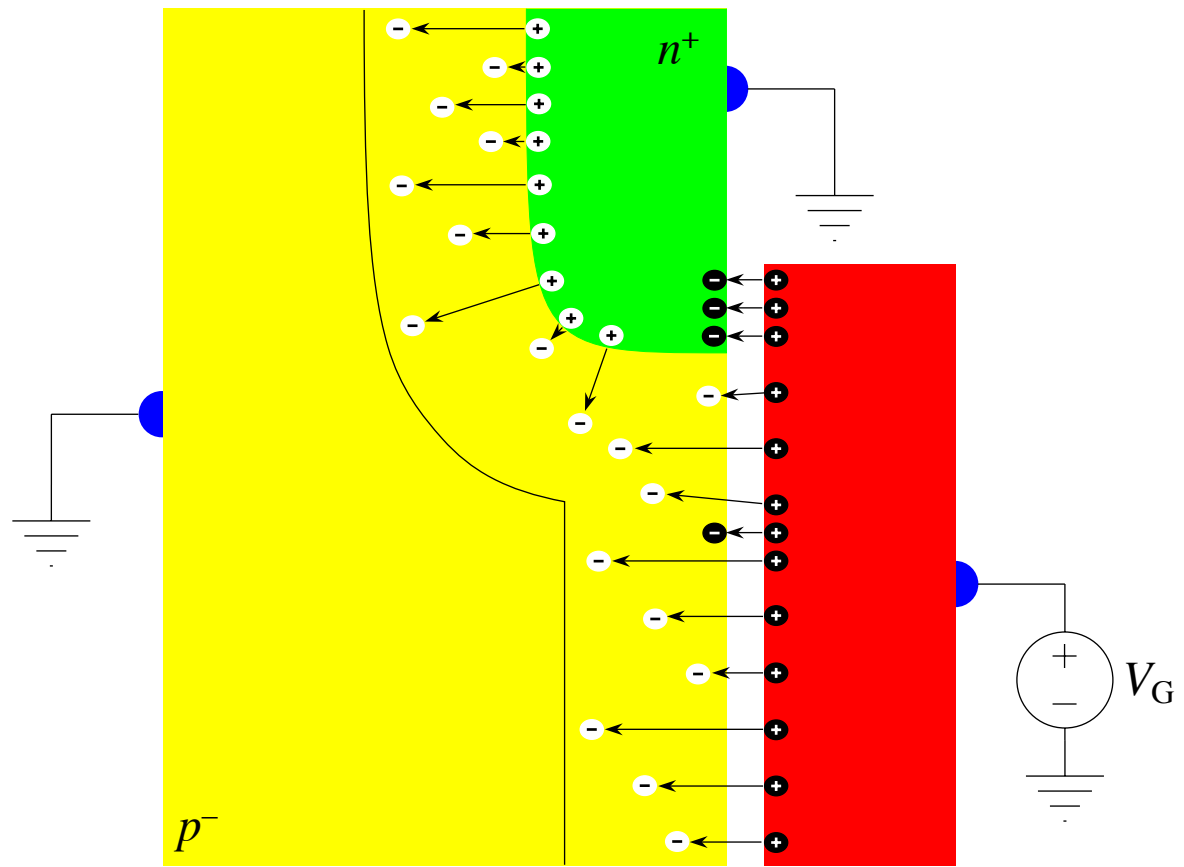
# Electrostatics of the MOS Structure



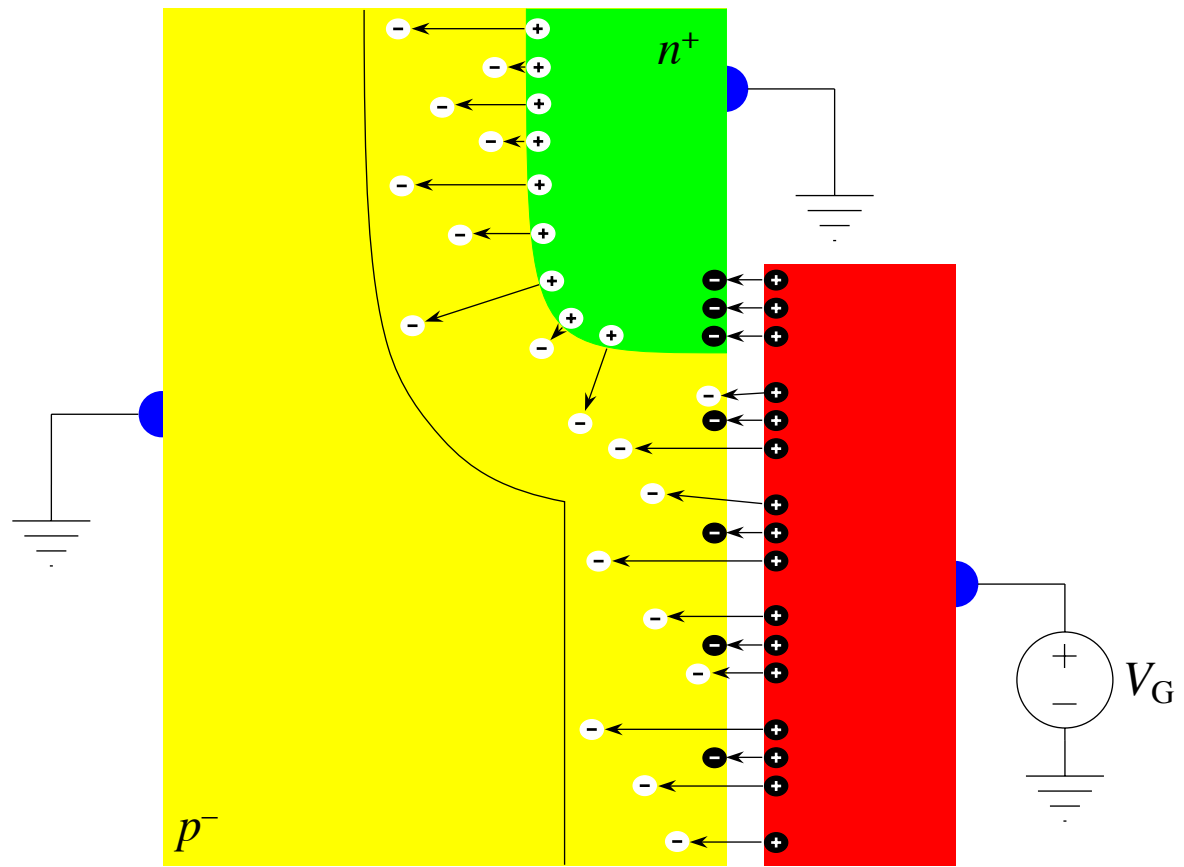
# Electrostatics of the MOS Structure



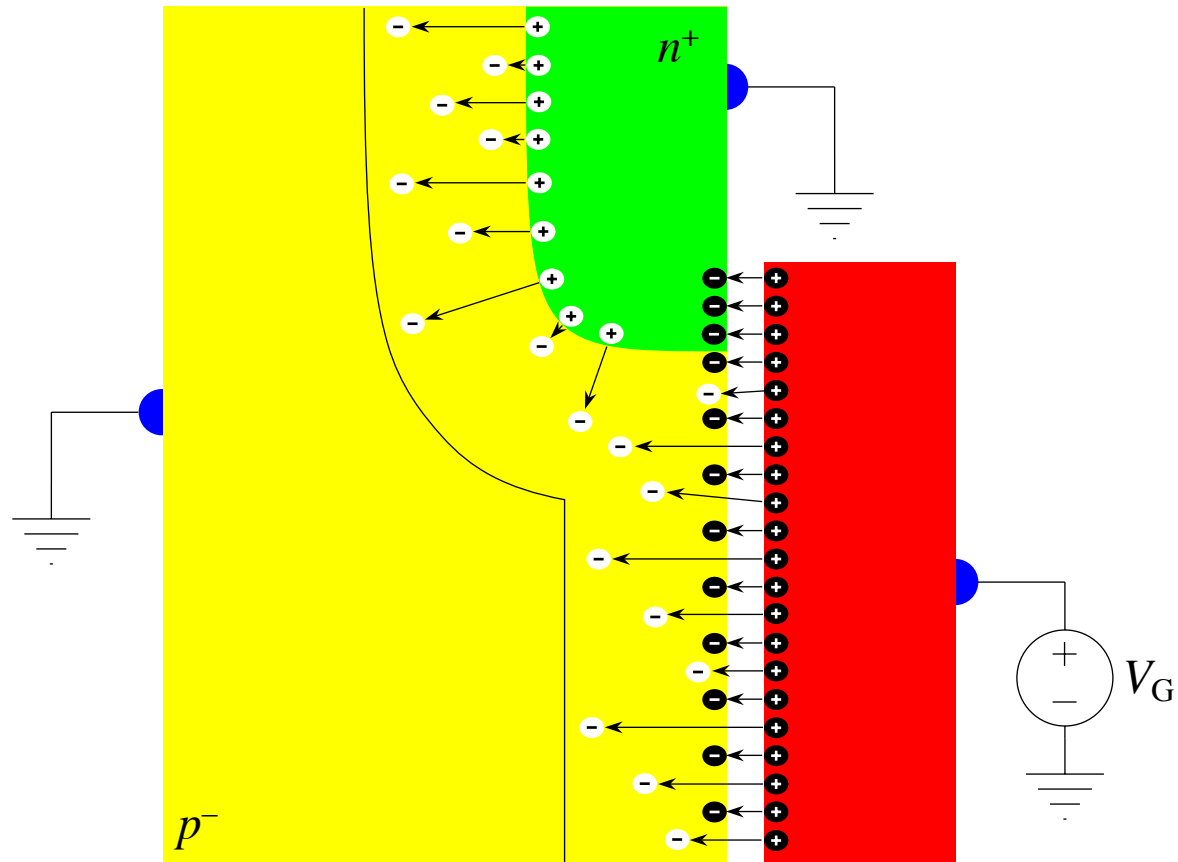
# Electrostatics of the MOS Structure



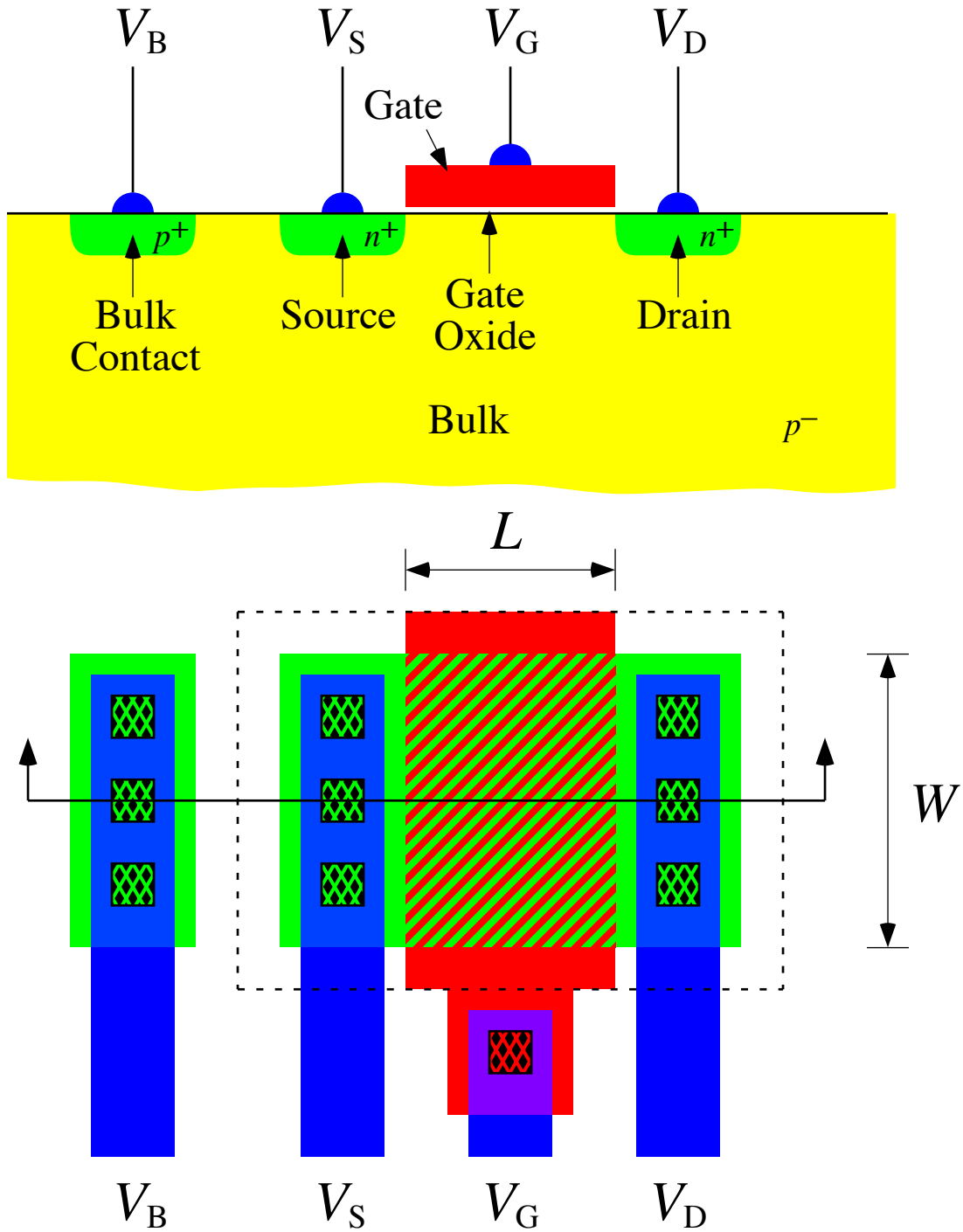
# Electrostatics of the MOS Structure



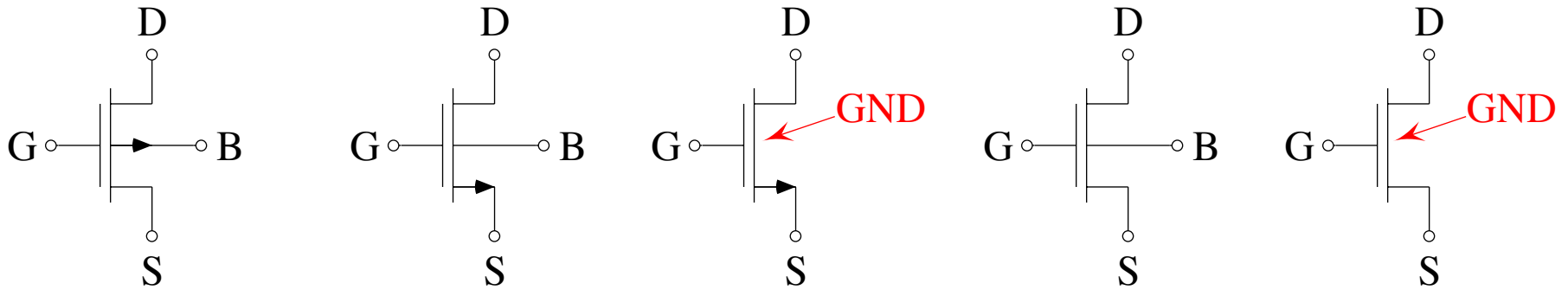
# Electrostatics of the MOS Structure



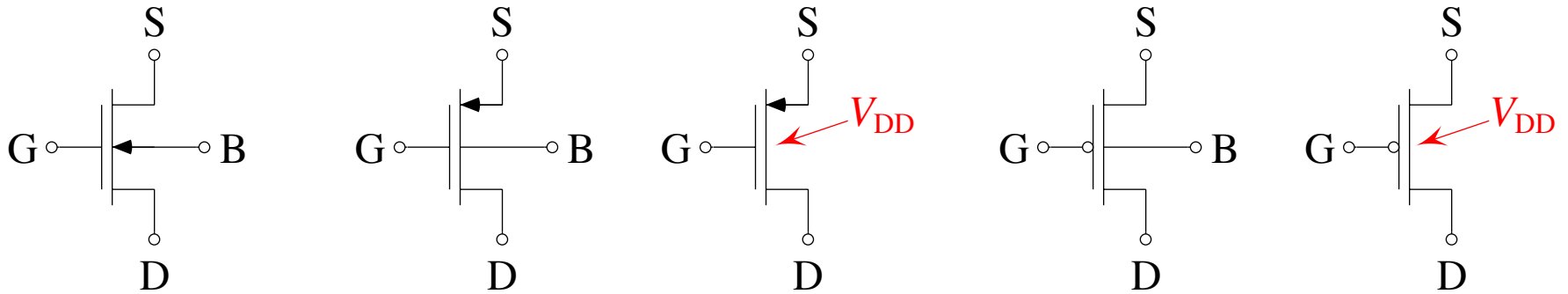
# The MOS Transistor



# MOS Transistor Circuit Symbols



*n*MOS transistors



*p*MOS transistors