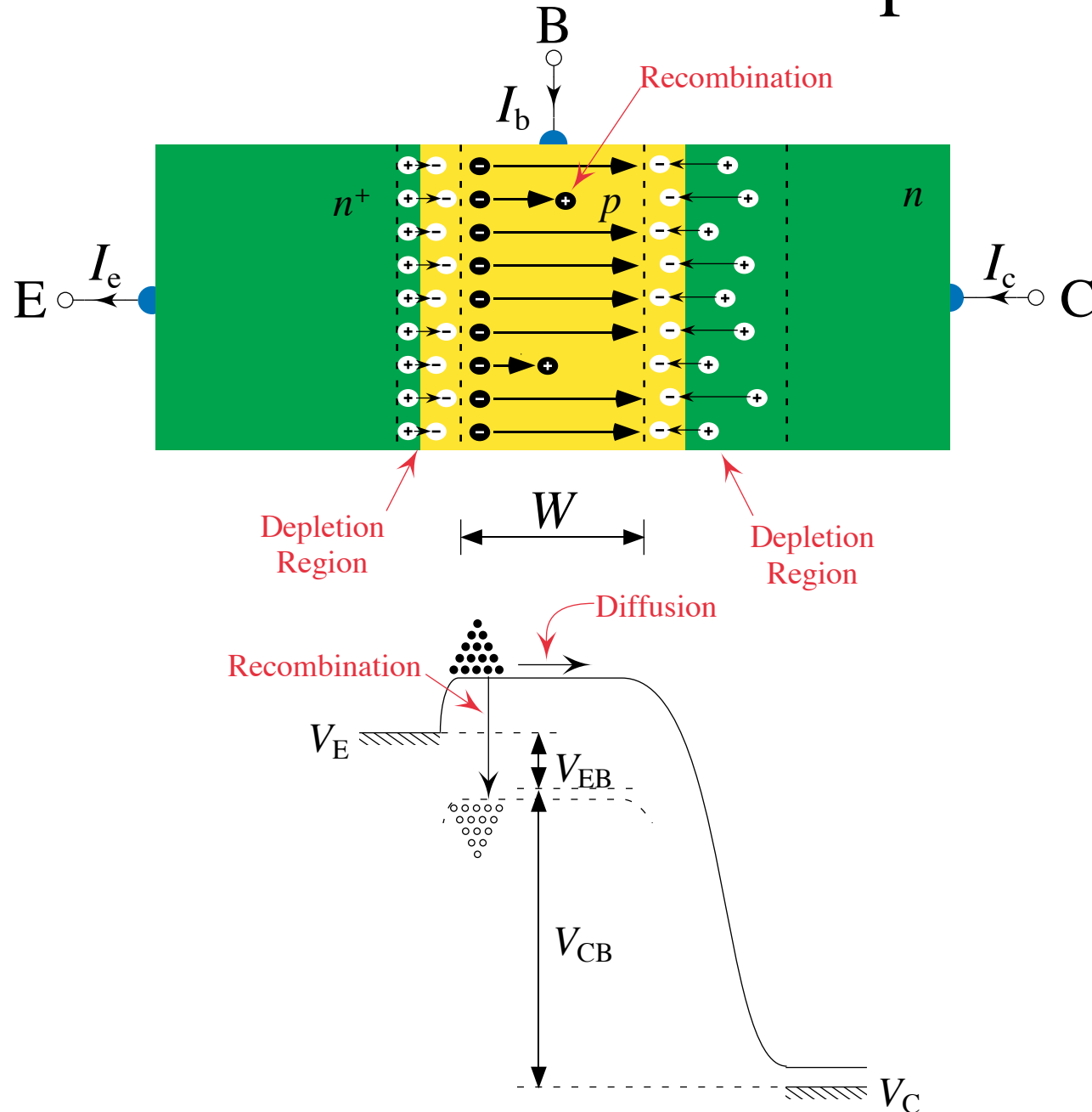
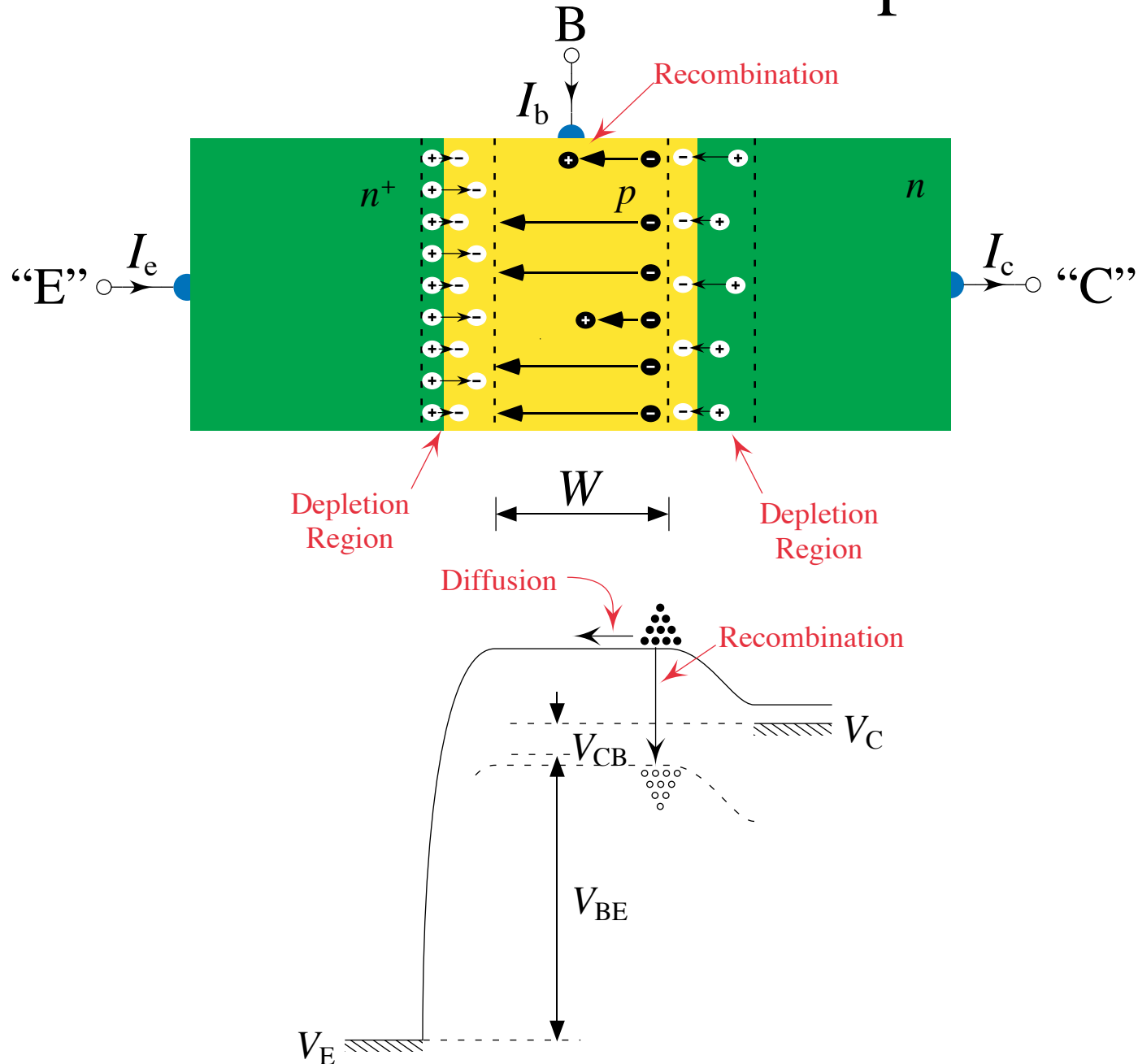


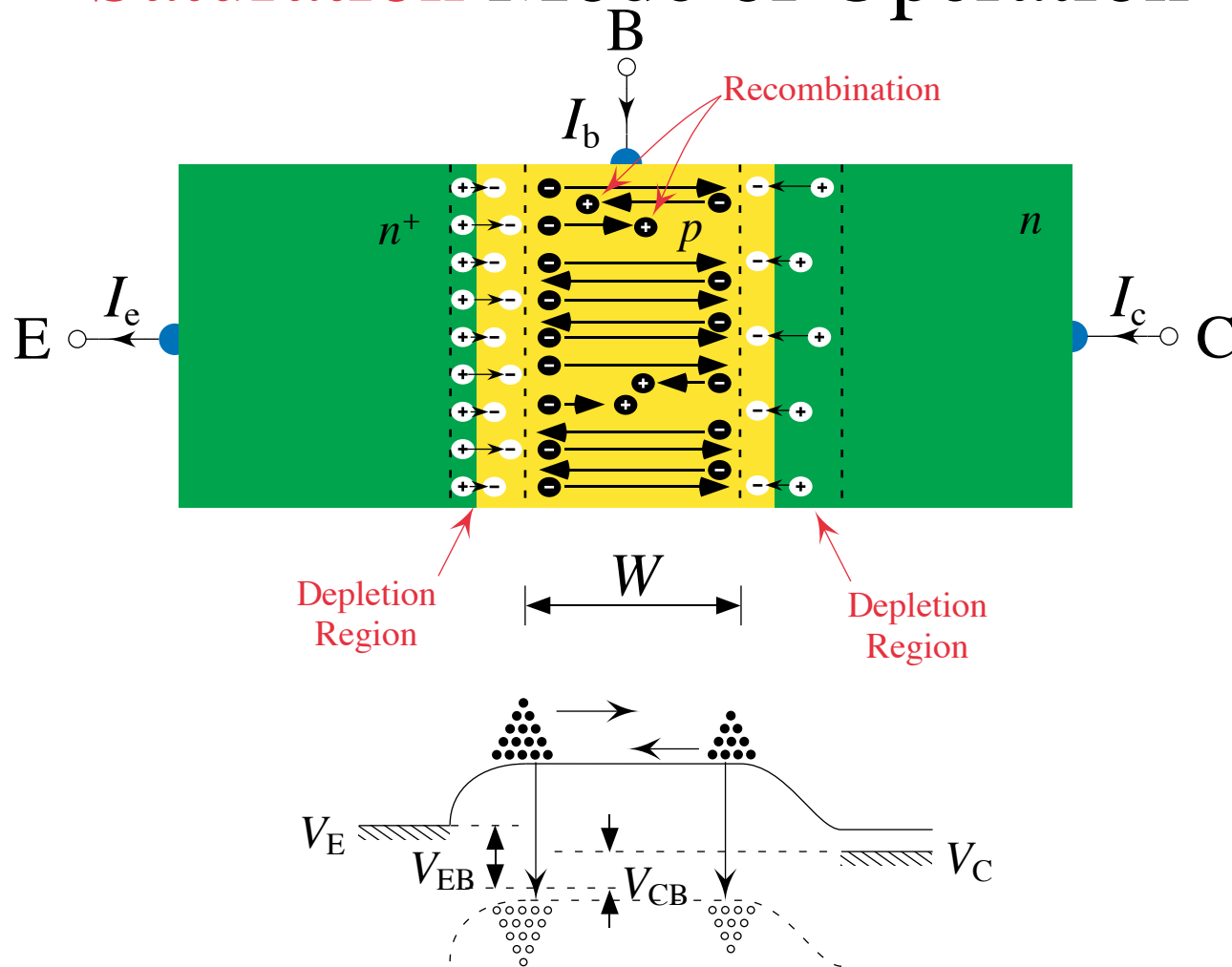
# *npn* Bipolar Transistor Intuition: Forward-Active Mode of Operation



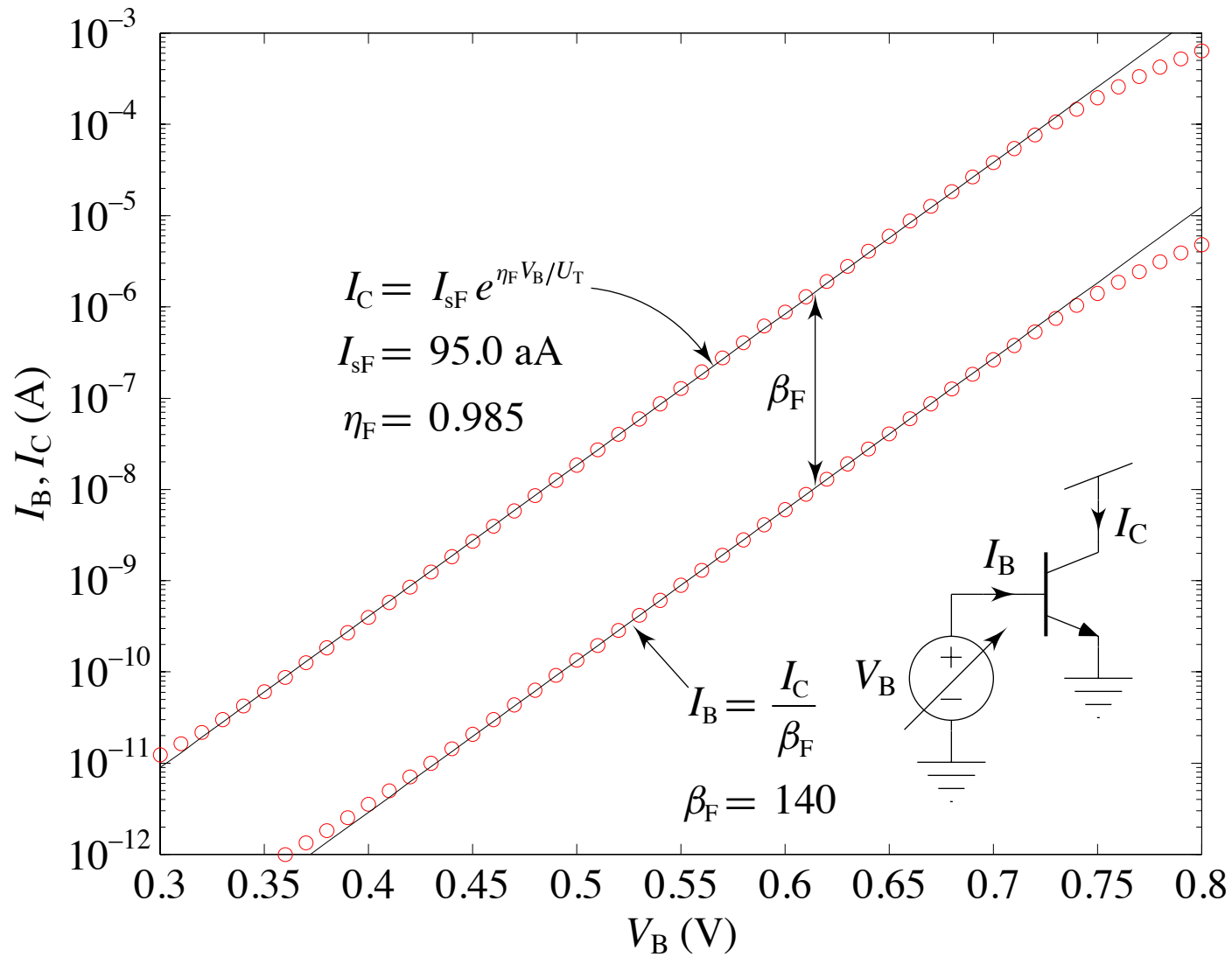
# *npn* Bipolar Transistor Intuition: Reverse-Active Mode of Operation



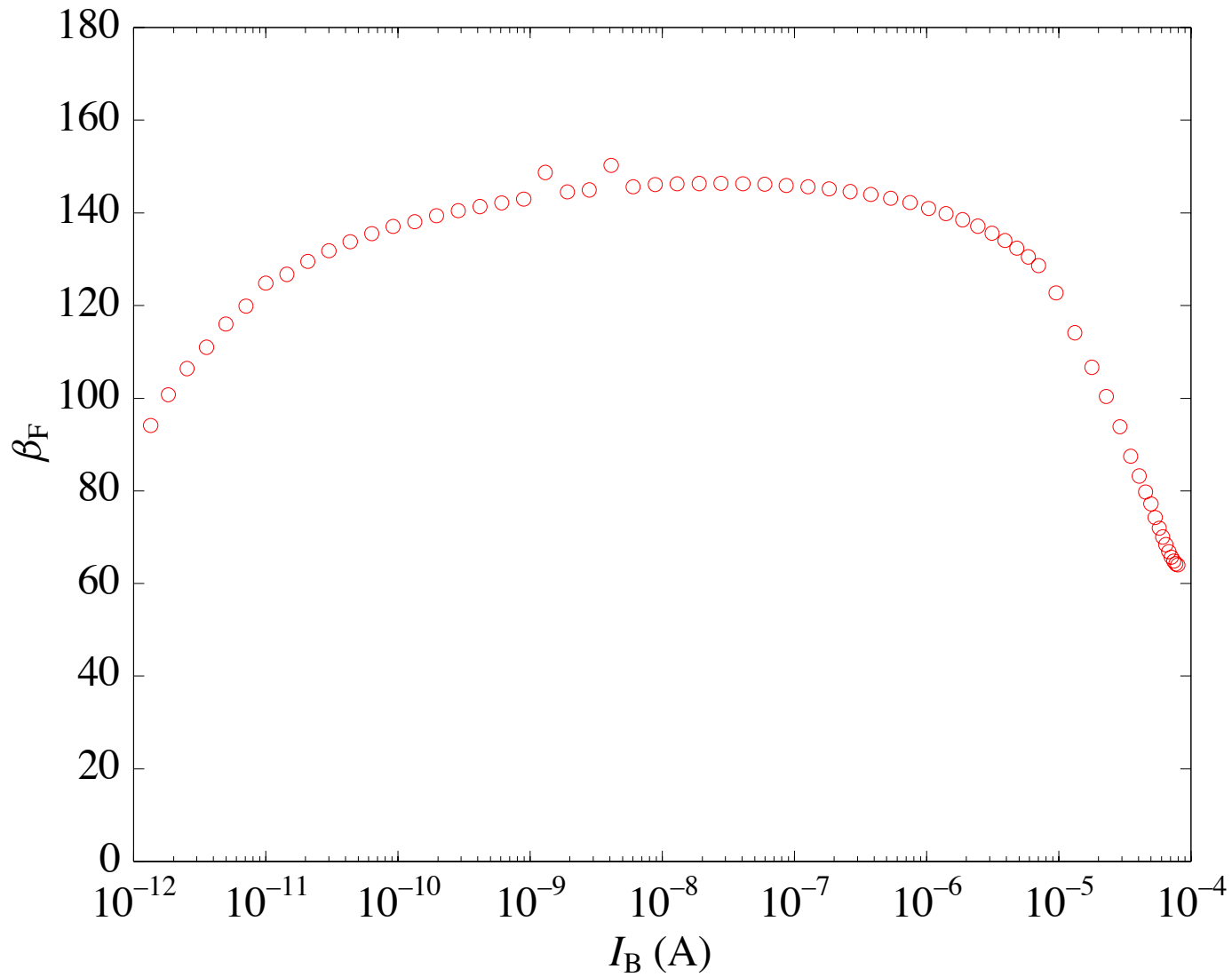
# *npn* Bipolar Transistor Intuition: Saturation Mode of Operation



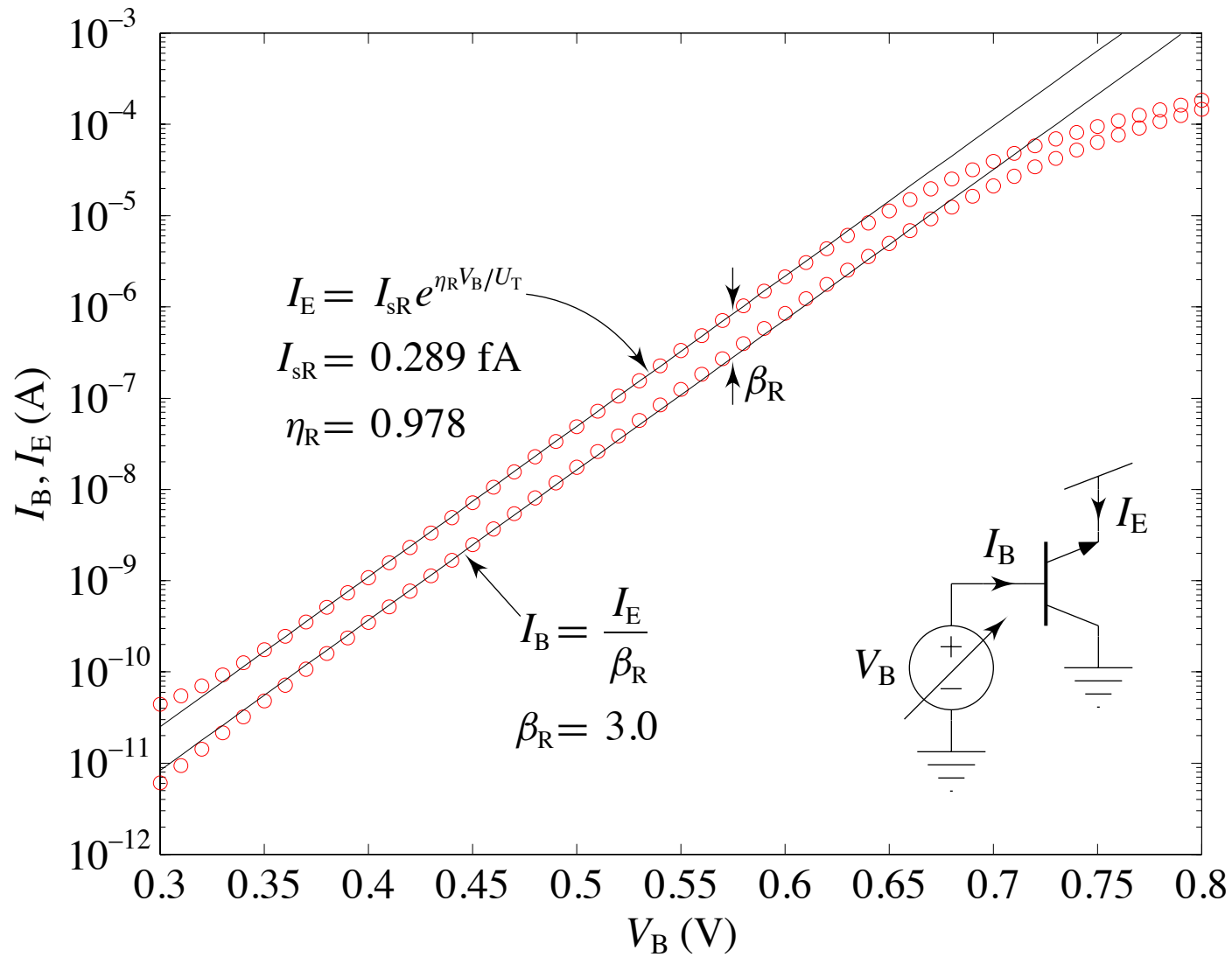
# Gummel Plot of a Forward-Active BJT



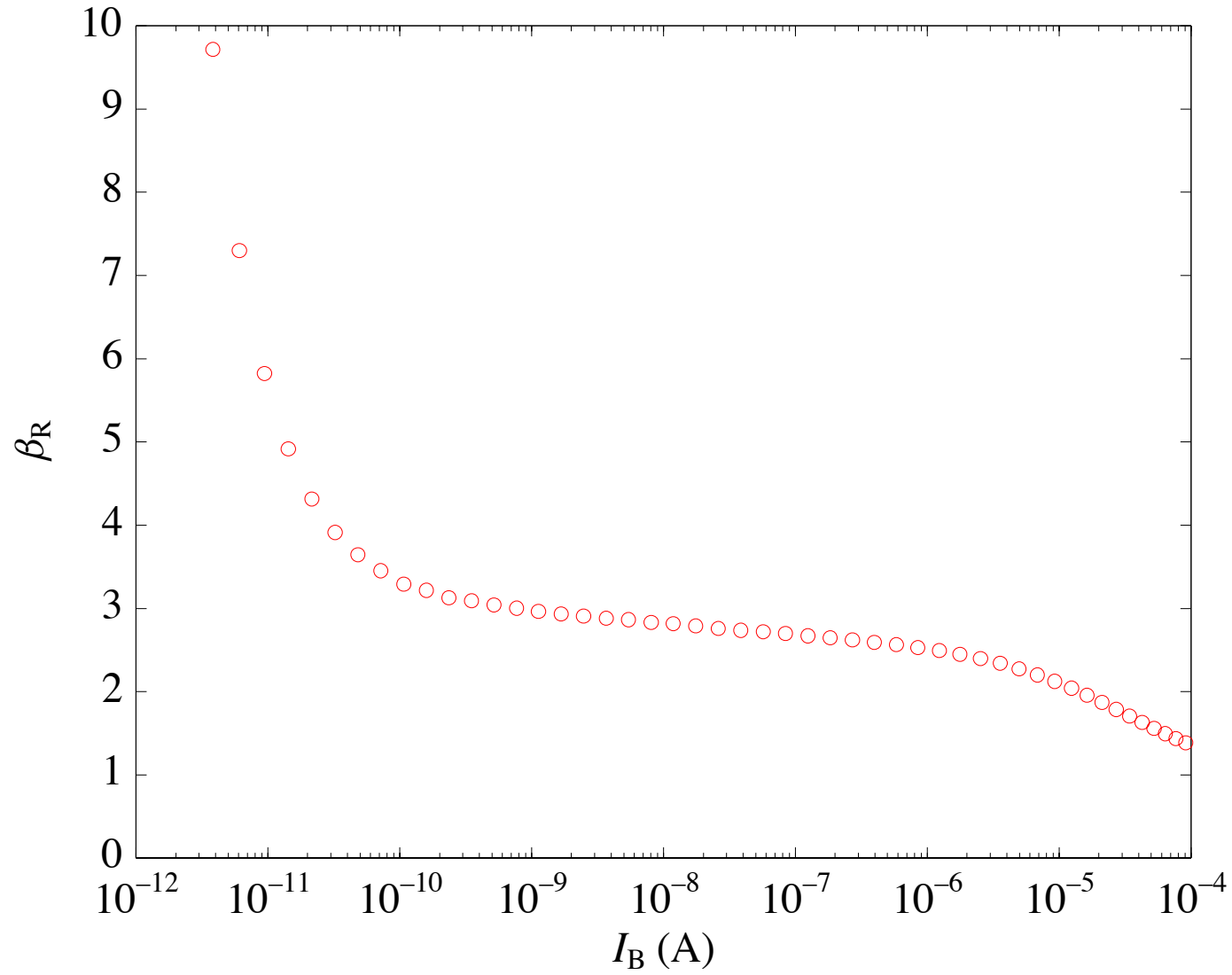
# Forward Current Gain



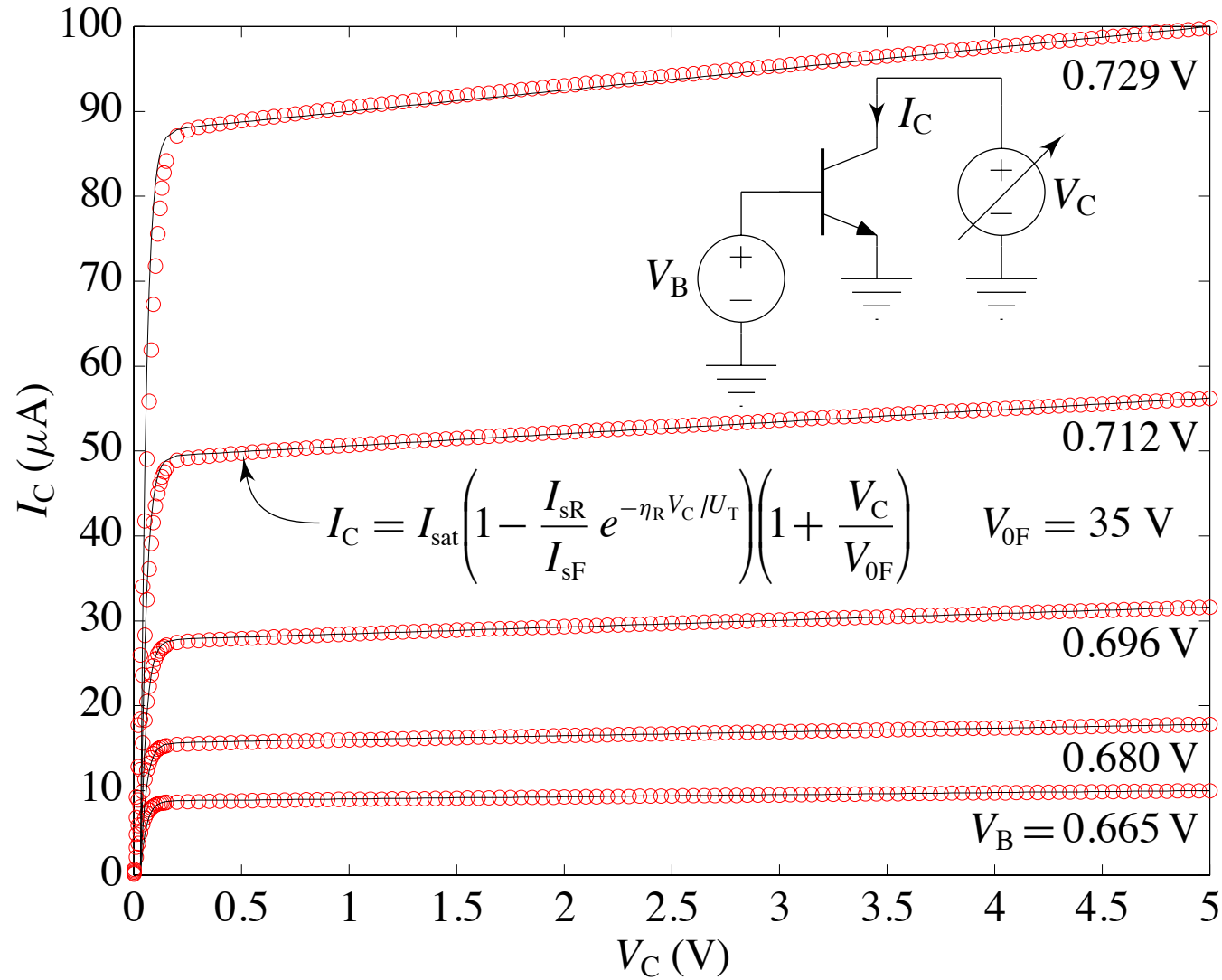
# Gummel Plot of a Reverse-Active BJT



# Reverse Current Gain

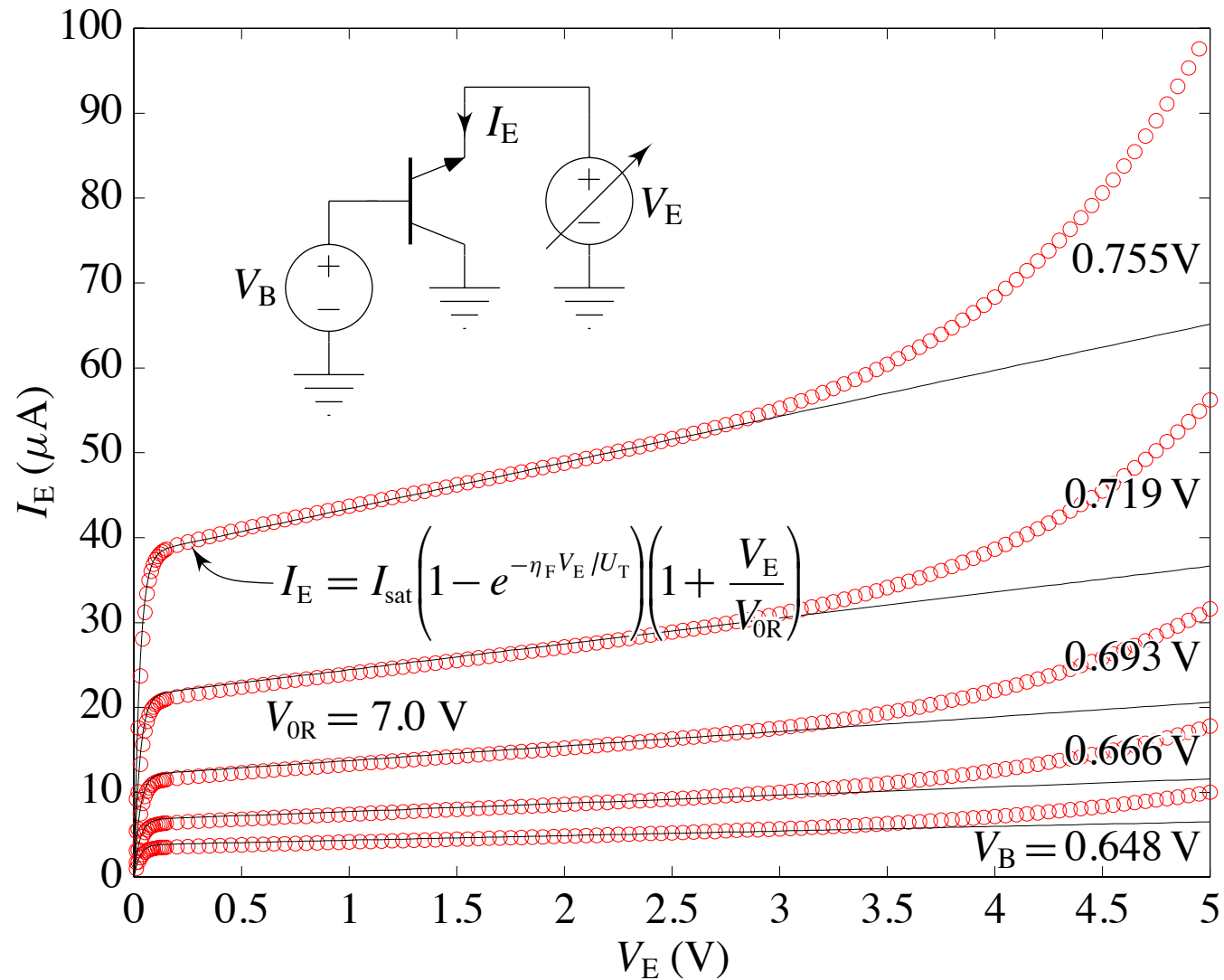


# Forward Collector Characteristics





# Reverse “Emitter” Characteristics



# Base-Width Modulation (a.k.a The Early Effect)

