

ENGR 2420: Resistive Networks Practice

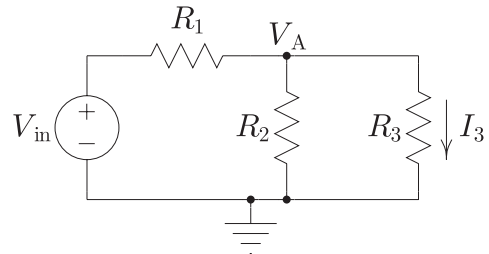
January 31, 2020

1. Series/Parallel Resistive Networks.

For each circuit shown, write down the quantity or quantities indicated, preferably by inspection and in one step. There may be more than one way to express an answer. Any of these is acceptable.

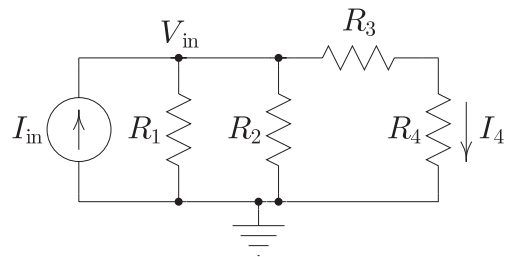
$$V_A =$$

$$I_3 =$$



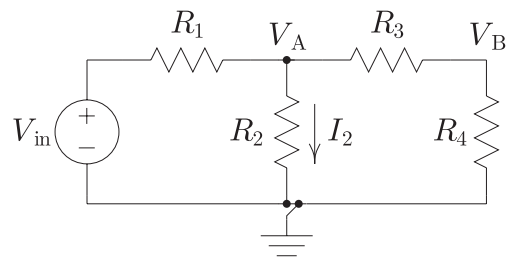
$$V_{in} =$$

$$I_4 =$$

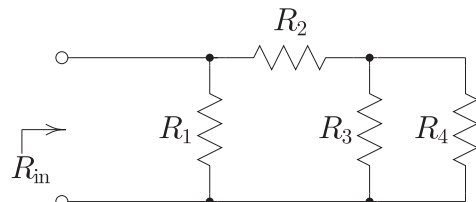


$$V_B =$$

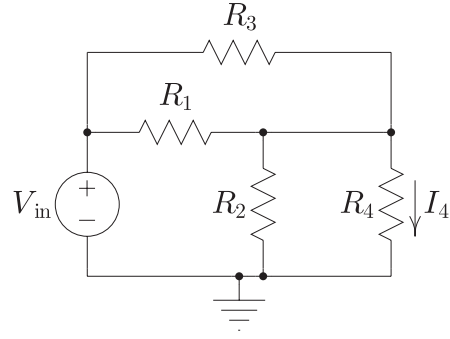
$$I_2 =$$



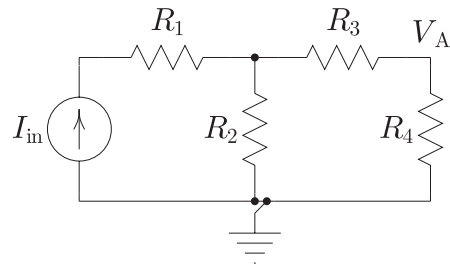
$$R_{in} =$$



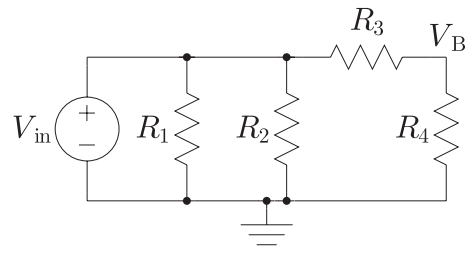
$I_4 =$



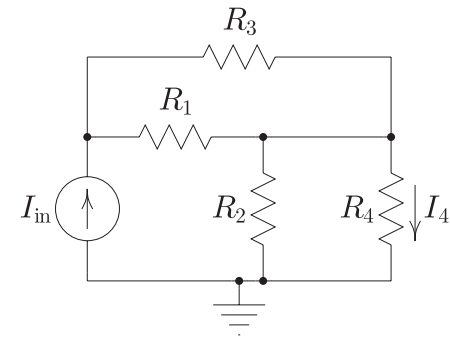
$V_A =$



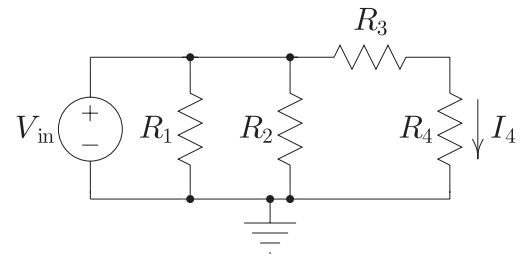
$V_B =$



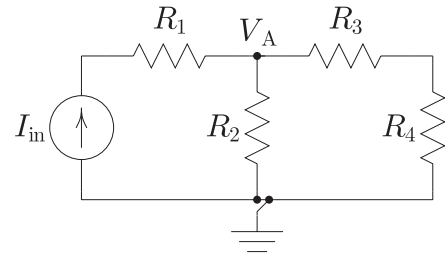
$I_4 =$



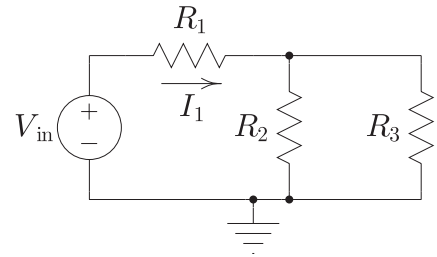
$$I_4 =$$



$$V_A =$$



$$I_1 =$$



$$I_4 =$$

